

www.ligaopumps.com

DIAPHRAGM METERING PUMP



LGP

ZHEJIANG LIGAO PUMP TECHNOLOGY CO.,LTD

Add: No. 227, Huishu Road, Liangshui Industrial Zone, Linhai City, Zhejiang, China

Zip Code: 317000

Tel: +86 - 576 - 85289780

Fax: +86 - 576-85668297

Email: sales@ligaopumps.com

CE ISO9001 ISO14001

JLM Series

Effective and reliable digital pump, manually controlled by stroke speed.

Application:

- Potable water treatment: Metering of disinfectants
- Cooling circuits: Metering of corrosion inhibitors and biocides
- Waste water treatment: Metering of flocculants
- Paper industry: Metering of additives
- Plastics production: Metering of additives

Features:

- Wear-free solenoid driving with no bearing
- Compact modular design(liquid end, drive and electronic board are modular, easy for replacement)
- Intelligent display the stroke speed in percentage
- Check valve assemblies are with two balls and designed for easy maintenance
- Accessories are included: hose, injection valve, foot valve, ceramic weight

Materials:

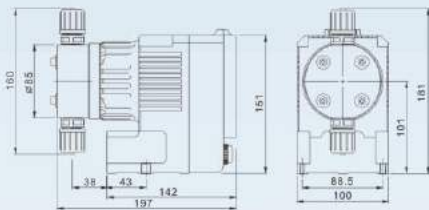
- Pump Head: PVC, PVDF, SS304, SS316
- Diaphragm: PTFE
- Valves: Same as pump head selection
- Valve Ball: Ceramic
- Suction and discharge tube: PE pipe

Connection Type:

- PE hose for all materials pump head selection

Supply Voltage:

- 220v 50/60hz or 110v 50/60hz



PVDF



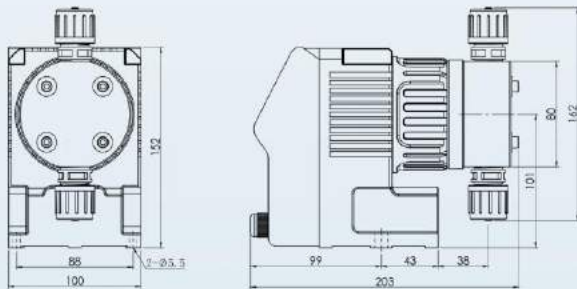
SS

Parameter Table

Model	50/60Hz					Diaphragm Dia.(mm)	Power	Connection Size
	Flow (lph)	Pressure (Bar)	Flow (gph)	Pressure (Psi)	SPM			
JLM0110	1.0	10	0.3	145	120	34	28W	5*8mm
JLM0408	3.8	7.6	1.0	110	180			
JLM0505	5.0	5.0	1.3	73				
JLM0804	7.6	3.5	2.0	51				
JLM1002	10	2.0	2.6	29				
JLM1202	12	1.5	3.2	22		52		
JLM1501	15	1.0	4.0	15				

JLM-S Series

New designed digital pump with an advanced microprocessor control board
Big LED screen displays instant flow rate and accumulated flow for easy reading



Application:

- Potable water treatment: Metering of disinfectants
- Cooling circuits: Metering of corrosion inhibitors and biocides
- Waste water treatment: Metering of flocculants
- Paper industry: Metering of additives
- Plastics production: Metering of additives

Features:

- Flow manually controlled by stroke rate
- Automatic analog input control: available with 4-20mA signal
- Automatic pulse input control: pulse input with multiply and divide capability
- RS485 communication interface: single pump or a couple of pumps connected to and controlled by computer
- External remote control for start/stop: pump can be connected to level indicator for automatically start/stop the pump

Materials:

- Pump Head: PVC, PVDF, SS304, SS316
- Diaphragm: PTFE
- Valves: Same as pump head selection
- Valve Ball: Ceramic
- Suction and discharge tube: PE pipe

Connection Type:

- PE hose for all materials pump head selection

Supply Voltage:

- 220v 50/60hz or 110v 50/60hz

Parameter Table

Model	50/60Hz					Diaphragm Dia.(mm)	Power	Connection Size
	Flow (lph)	Pressure (Bar)	Flow (gph)	Pressure (Psi)	SPM			
JLM-S0110	1.0	10	0.3	145	100	34	30W	5*8mm
JLM-S0408	3.8	7.6	1.0	110	150			
JLM-S0607	6.3	6.8	1.7	99	140	41		
JLM-S0805	8.0	5.0	2.1	73	110			
JLM-S1204	12	4.0	3.2	58	130	52		
JLM-S1502	15	2.0	4.0	29	160			
JLM-S2001	20	1.0	5.3	15	170			

JBB Series

Motor Driven Mechanical Diaphragm Metering Pump



Features:

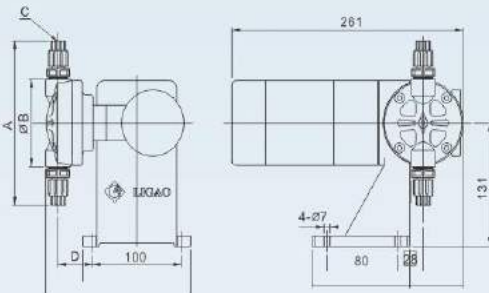
- Compact and simple design
- Multilayer composite PTFE diaphragm, long service life
- Reinforced plate design after the diaphragm
- Flow adjustment manually controlled by the micrometer
- Fluid max temperature: 70°C(158°F)

Materials:

- Pump Head: PVC, PTFE, SS304, SS316
- Diaphragm: PTFE
- Valves: Same as pump head selection
- Valve Ball: Ceramic

Optional Voltage:

- DC powered motor 12V or 24V is available



Unit: mm

Model	A	B	C	D	E
JBB10-40	174	94	6	39	163
JBB 60-130	207	114	10	41	172

Parameter Table

Model	50Hz			60Hz			Pressure		Diaphragm Dia.(mm)	Power
	Flow (lph)	Flow (gph)	SPM	Flow (gph)	Flow (lph)	SPM	Bar	Psi		
JBB15/1.0	14	3.7	100	4.4	17	120	10	145	60	60W
JBB25/1.0	25	6.6	100	7.9	30	120	10	145		
JBB40/0.7	38	10	150	12	46	180	7.0	102		
JBB60/0.6	60	16	100	19	72	120	6.0	87	84	
JBB80/0.5	80	21	100	25	96	120	5.0	73		
JBB100/0.4	100	26	150	32	120	180	4.0	58		
JBB130/0.4	130	34	150	41	156	180	4.0	58		

Connection

Model	PVC	PTFE	SS
JBB15-JBB40	6.5x10mm PE hose	RC 1/2" F	6x12mm welding union
JBB60-JBB130	10x14mm PE hose	RC 1/2" F	10x16 welding union



GM



GB



GB-S

G Series

G series is robust and reliable motor driven metering diaphragm pumps. The stroke length can be adjusted to alter capacity of this pump. Two non-return valves prevent the feeding chemical from flowing back during pumping. Each pump with the reinforced plate is to protect the diaphragm. LGP G series pumps are very durable for processing all kinds of chemicals with wide flow rate range.

Specification:

- Capacity up to 3600 lph (951gph) under 50Hz
- Pressure up to 10 bars (145psi)
- Processing Temperature: from 0-70°C (32-158°F)
- Stroke Adjustment: 0-100%
- Suction Lift: 1.5m
- Accuracy: ±2% of set point

Materials:

- Pump Head: PVC, PTFE, SS304, SS316
- Diaphragm: PTFE
- Valves: Same as pump head selection
- Valve Ball: Ceramic



SS Head, in NPT or PT Standard.



SS Head



PTFE Head, Flange Connection Type



GM

Parameter Table

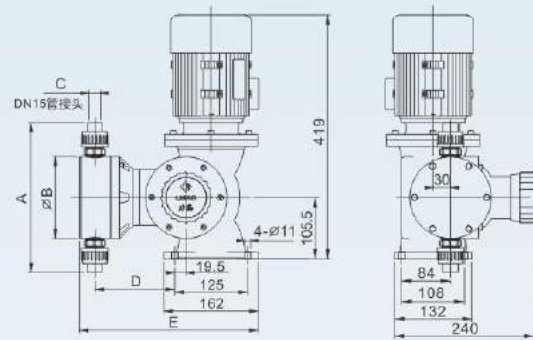
Model	50Hz			60Hz			Pressure		Diaphragm Dia.(mm)	Power KW(HP)
	Flow (lph)	Flow (gph)	SPM	Flow (gph)	Flow (lph)	SPM	Bar	Psi		
GM 25/1.0	25	6.6	48	7.9	30	58	10	145	60	0.37(0.5)
GM 50/1.0	50	13	96	16	60	115	10	145		
GM 80/0.7	80	21	48	25	96	58	7	102		
GM 120/0.7	120	32	48	38	144	58	7	102		
GM 170/0.7	170	45	96	54	204	115	7	102		
GM 240/0.5	240	63	96	76	288	115	5	73		
GM 320/0.5	310	82	144	98	372	173	5	73		
GM 420/0.5	420	111	144	133	504	173	5	73		
GM 500/0.5	480	127	144	152	576	173	5	73		

Connection

Model	PVC	PTFE	SS
GM25-GM50	6.5x10mm PE hose	RC1/2" F	6x10mm,union for welding
GM80-GM120	DN15 glue union	RC1/2" F	10x16mm, union for welding
GM170-GM500	DN15 glue union	RC 3/4" F	15x24mm, union for welding

Unit: mm

Model	A	B	C	D	E
GM25	172	94	6	128	285
GM50-500	256	140	DN15	137.5	312



Digital Controller



- Instant and cumulative flow display
- Easy for operation
- Digital frequency control
- Periodly medium adding with rated flow
- Level sensor function
- Can be connected to computer or PLC
- Can receive 4~20mA and hall signal
- Failure warning function

Supply power (standard): 220V, single phase, 50/60 hz



GB

Parameter Table

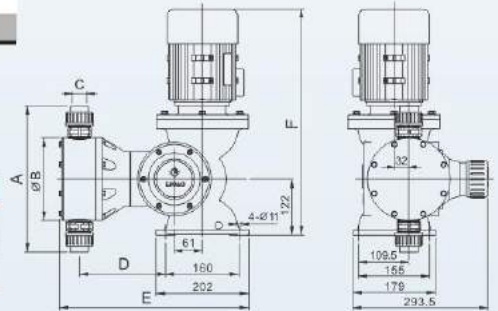
Model	50Hz			60Hz			Pressure		Diaphragm Dia.(mm)	Power KW(HP)
	Flow (lph)	Flow (gph)	SPM	Flow (gph)	Flow (lph)	SPM	Bar	Psi		
GB 380/0.6	380	100	48	120	456	58	6	87	148	0.75(1.0)
GB 500/0.6	500	132	96	159	600	115	6	87		
GB 650/0.6	650	172	96	206	780	115	6	87		
GB 850/0.5	850	225	144	269	1020	173	5	73		
GB1000/0.4	1000	264	144	317	1200	173	4	58		
GB1400/0.3	1400	370	144	444	1680	173	3	44	180	1.5(2.0)
GB1800/0.3	1800	476	144	571	2160	173	3	44		

Connection

Model	PVC	PTFE	SS
GB380-GB1000	DN25 glue union	RC 1" F	RC 1" F
GB1400-GB1800	DN40 glue union	RC 1.5" F	RC 1.5" F

Unit: mm

Model	A	B	C	D	E	F
GB380-800	318	180	32/DN25	187.5	414	492
GB1000	318	180	32/DN25	187.5	414	512
GB1400-1600	413	220	50/DN40	192.5	424	532



GB-S

Parameter Table

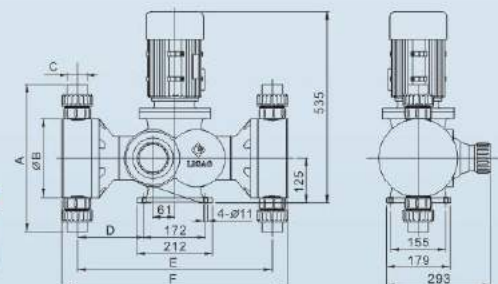
Model	50Hz			60Hz			Pressure		Diaphragm Dia.(mm)	Power KW(HP)
	Flow (lph)	Flow (gph)	SPM	Flow (gph)	Flow (lph)	SPM	Bar	Psi		
GB-S1300/0.5	1300	343	96	412	1560	115	5	73	148	0.75(1.0)
GB-S1700/0.5	1700	449		539	2040		5	73		
GB-S2000/0.4	2000	528	144	634	2400	173	4	58	185	1.5(2.0)
GB-S2800/0.3	2800	740		888	3360		3	44		
GB-S3600/0.4	3600	951		1141	4320		4	58		

Connection

Model	PVC	PTFE	SS
GB-S1300-GB-S2000	DN25 glue union	RC 1" F	RC 1" F
GB-S2800-GB-S3600	DN40 glue union	RC 1.5" F	RC 1.5" F

Unit: mm

Model	A	B	C	D	E	F
G-B51200-2000	318	180	32/DN25	181.5	535	611
GB-S2500-3600	413	413	50/DN40	186.5	545	631



Accessories



Safety Valve, PVC material



Safety Valve, SS material



Safety Valve, PTFE material



Pulse Damper, PVC material



Pulse Damper , SS material



Back Pressure Valve



Fliter, PVC material



Fliter, SS material



No-return valve